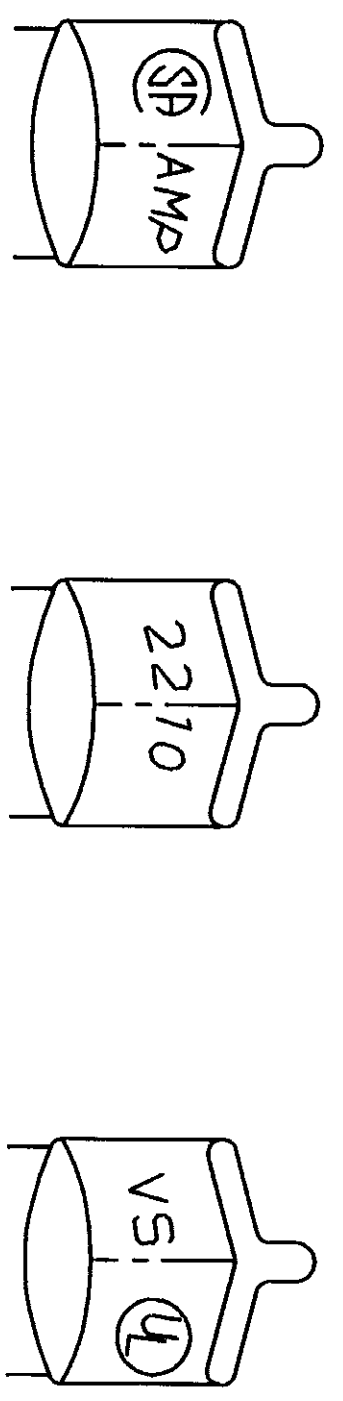
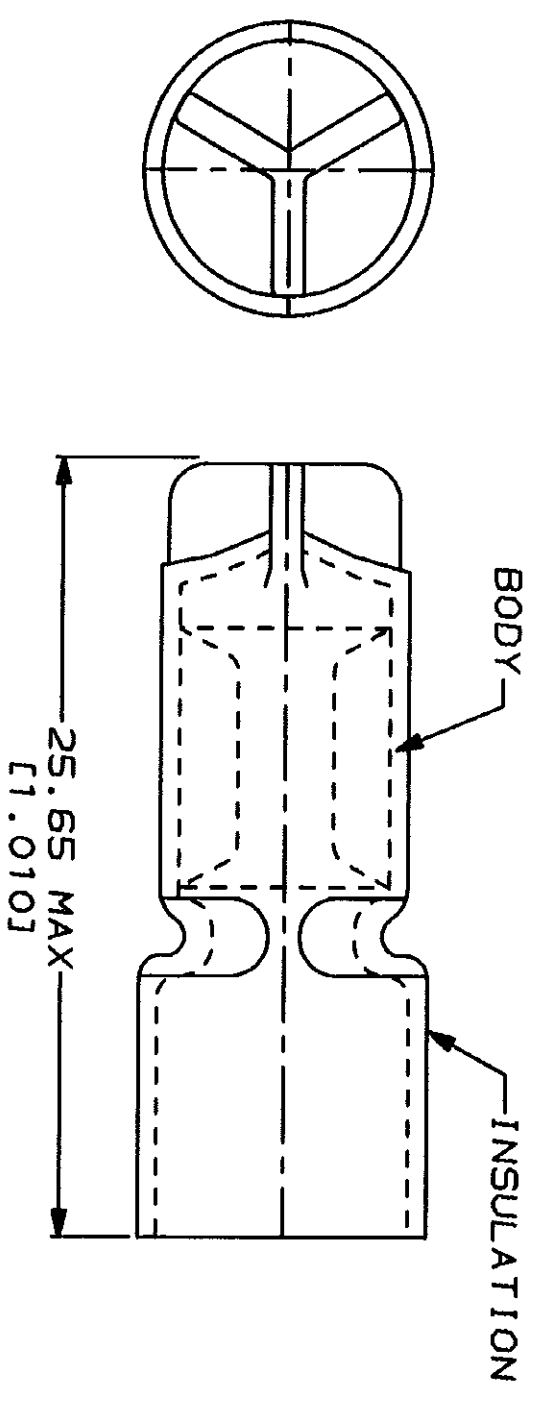


THIS DRAWING IS UNPUBLISHED. RELEASED FOR PUBLICATION BY AMP INCORPORATED. ALL INTERNATIONAL RIGHTS RESERVED.



STAMPING DETAIL



LOC	DIST	P	F	ZONE	LTR	DESCRIPTION	DATE	APPD
G	14			M		REV / 0720-0071-93	5/93	LD / MC

AMP WIRE RANGE	UL Listed	LR7189 Certified
22-10 AWG SOLID OR STRANDED	22-10 AWG SOLID OR STRANDED	22-10 AWG SOLID OR STRANDED

METRIOR
 DIMENSIONS LISTED IN mm [INCHES]

- NOTES:
 1. WIRE INSULATION OPENING 7.62mm [.300]
 MIN DIA

AMP INCORPORATED
 CUSTOMER SERVICE SYSTEMS

FOR ADDITIONAL PRODUCT INFORMATION OR COPIES OF DRAWINGS AND TECHNICAL DOCUMENTS	1-800-522-6752	PRODUCT INFORMATION CENTER
FOR APPLICATION	1-800-722-1111	TOOLING ASSISTANCE CENTER
FOR ORDER ENTRY	1-800-526-5142	

MAX RECOMMENDED OPERATING TEMPERATURE:	90°C MAX
VOLTAGE RATING:	300V MAX
CIRCULAR MIL AREA:	2.62-6.64mm ² (5180-13100)
SOLID OR STRANDED	

DO NOT SCALE PRINT. UNLESS SPECIFIED OTHERWISE:
 DIMENSIONS ON: 2 PLC DEC ± 0.20(.008)
 3 PLC DEC ± . . .
 ANGLES

MATERIAL:
 BODY: COPPER
 INSULATION: PVC
 COLOR: YELLOW

FINISH:
 SPLICED: TIN PLATED
 MIL-T-10727

DR 1/93	6/93	50	LOOSE PC, BOX	8-34865-2
CHK 1/93	R HEBERT	-	LOOSE PC	34865
APPD 1/93	M CLINE	QTY	DESCRIPTION	PART NO
APPD 1/93	M ELLIS			
PRODUCT SPEC				
APPLICATION SPEC				
WEIGHT				

AMP
 AMP Incorporated
 Harrisburg, PA 17105-3608

SPLICE, WIRE, CLOSED END

SIZE	CAGE CODE	DRAWING NO
B	00779	C=34865
SCALE	4:1	SHEET
		1 OF 1